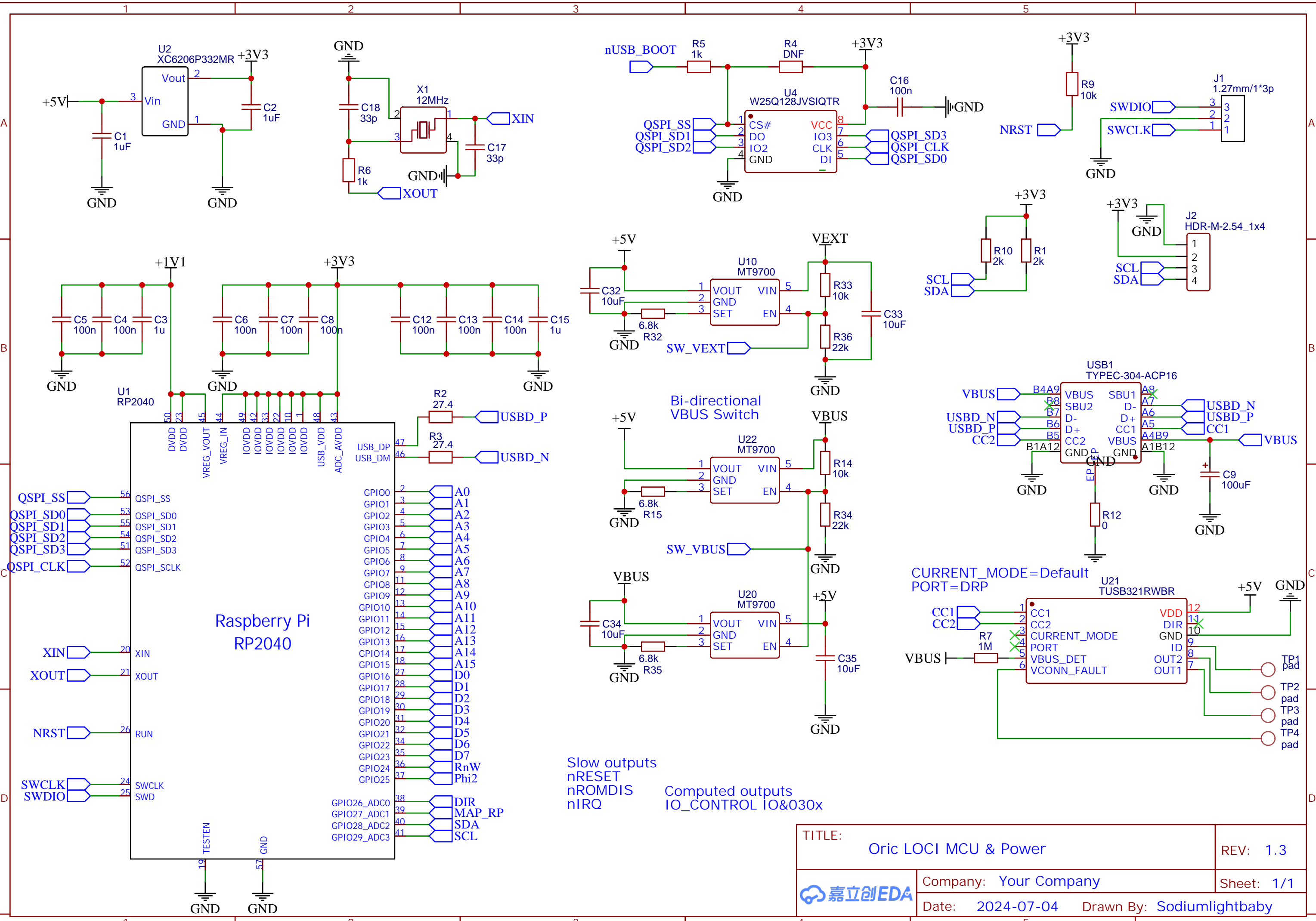


TITLE: Oric LOCI - Oric interface		REV: 1.3
	Company: Your Company	Sheet: 1/1
	Date: 2024-07-04	Drawn By: Sodiumlightbaby

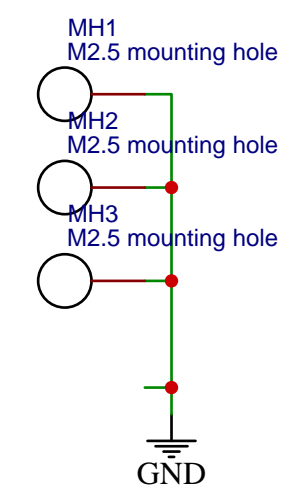
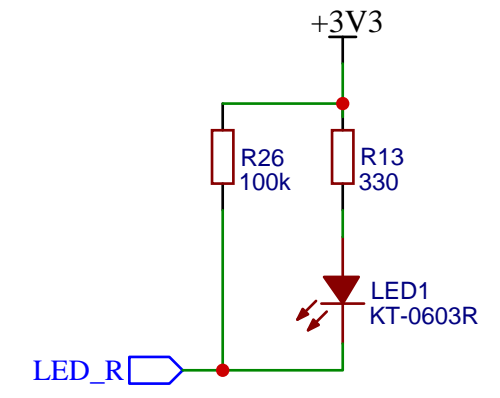
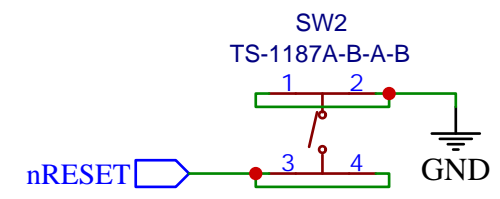
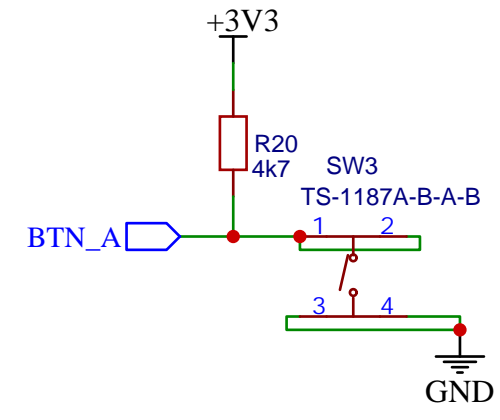
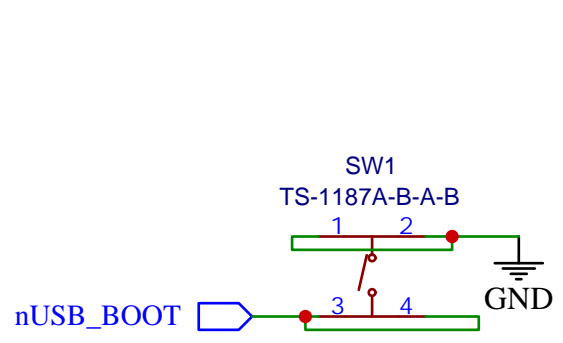


Raspberry Pi  
RP2040

Slow outputs  
nRESET  
nROMDIS  
nIRQ

Computed outputs  
IO\_CONTROL IO&030x

TITLE: Oric LOCI MCU & Power		REV: 1.3
嘉立创EDA	Company: Your Company	Sheet: 1/1
	Date: 2024-07-04	Drawn By: Sodiumlightbaby



TITLE: Oric LOCI - External interface		REV: 1.3
	Company: Your Company	Sheet: 1/1
	Date: 2024-07-04	Drawn By: Sodiumlightbaby